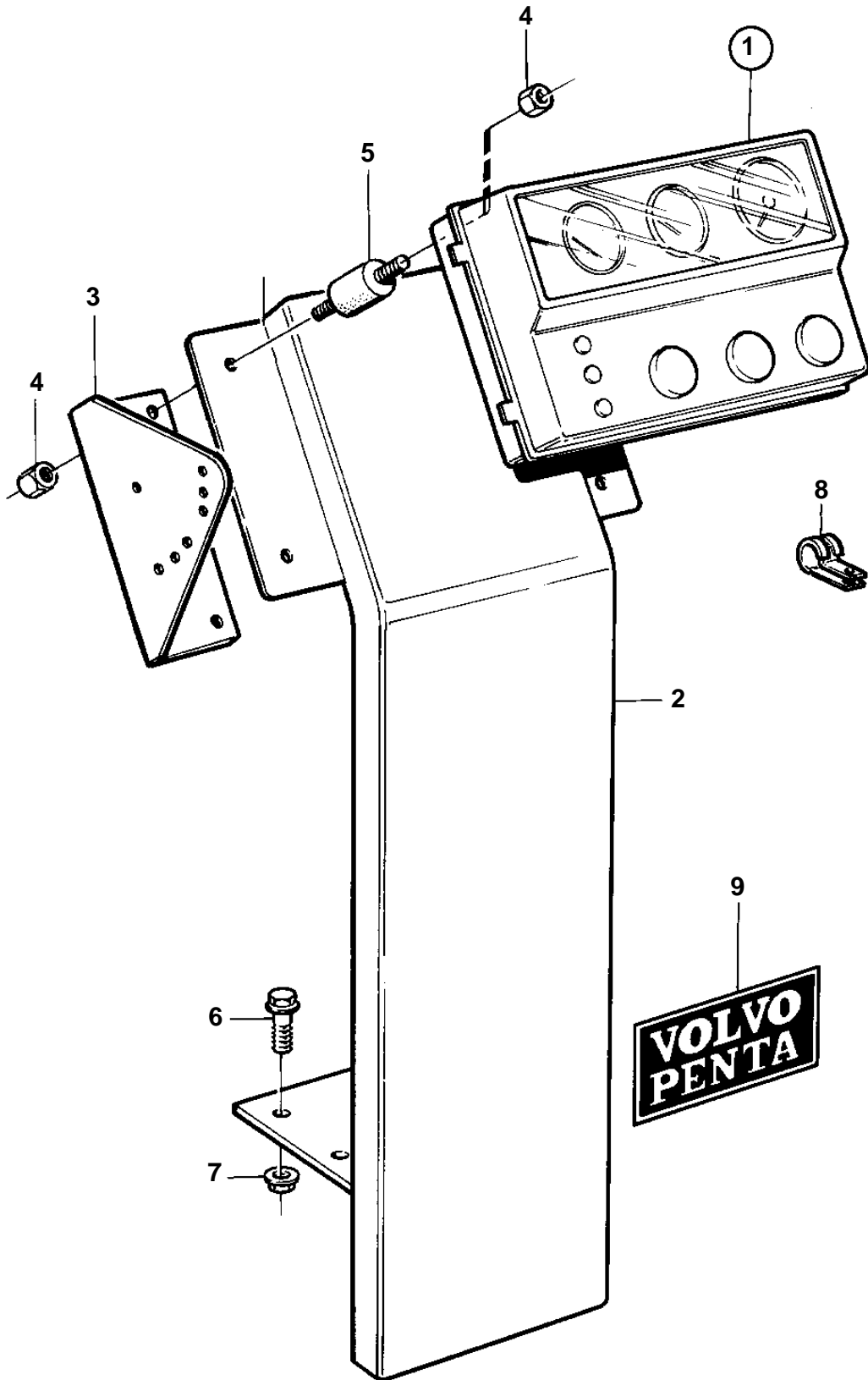


COMMON



COMMON

REF	PART NO.	QTY	DESCRIPTION	SEE SEC.	NOTES
1		1	Instrument panel		EARLY TYPE
				119	
		1	Instrument panel		LATE TYPE
				2073	
2		1	Pillar		
3	862245	1	Attaching plate		SEE GROUP 27
4	945407	8	Flange nut		
5	866461	4	Vibration damper		
6	946817	4	Screw		
7	971096	4	Nut		
8	952632	1	Clamp		D=13mm
	952641	1	Clamp		D=34mm
9	827259	1	Label		